



## IN GROUND

TLSIG210SRK1 / TLSIG210PRK1  
TLSIG212SRK1 / TLSIG212PRK1

AUTOMOTIVE AND LIGHT TRUCK GENERAL SERVICE  
TLS LIFTS INCLUDE NORTH AMERICAN KEY COMPONENTS

# IN GROUND

10,000 LB. OR 12,000 LB.  
/ 4.5T OR 5.4T CAPACITY

COMPACT DESIGN IDEAL FOR TIRES, BRAKES,  
BODY REPAIR & FAST LUBE



### MODELS



▲  
Swing Arm Rubber Pad – Adjustable swing arms with stacking style rubber contact pads.



▲  
Swing Arm Steel Flip Up – Adjustable swing arms with flip up multi height steel adapters.



▲  
Pad Style – Rubber coated lifting pads ideal for smaller cars  
4TPIG210PSK1 / 4TPIG212PSK1



# IN GROUND

10,000 OR 12,000 LBS / 4.5 OR 5.4T CAPACITY

IN GROUND 10K TLSIG210SRK1 / TLSIG210PRK1  
IN GROUND 12K TLSIG212SRK1 / TLSIG212PRK1

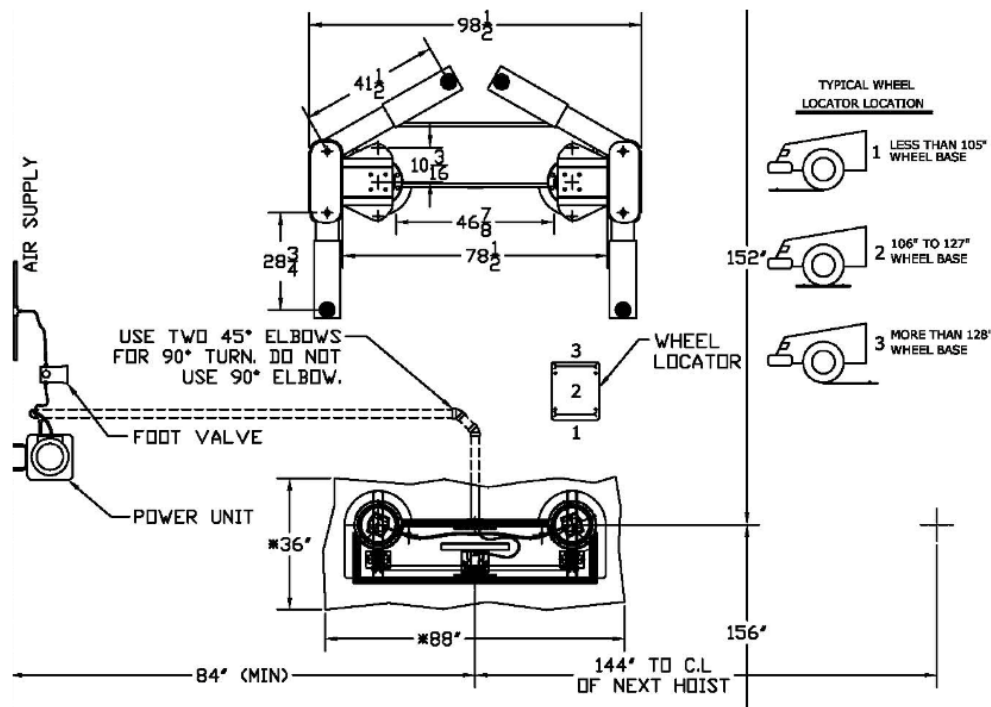
AT TLS OUR GOAL IS TO BUILD LIFTS THAT LAST LONGER, PERFORM BETTER AND COST LESS TO OPERATE

SPECIFICATIONS	HIGH PRESSURE TWIN POST IN GROUND
Capacity	10,000 lb. or 12,000 lb. / 4.5T or 5.4T
Power supply	220v 20 amp 1 ph / 2 HP / 1.5 kw
Hydraulic cylinders	2 x 8-5/8" / 219mm chrome plated plunger - 70" / 1778mm stroke
Lifting time	70 Seconds / 25 seconds decent
Overall width	98-1/2" / 2502mm
Overall length	86-1/2" / 2197mm
Drive over height	4-1/2" / 114mm
Overall lifting height	74" (82" With adapters) 880mm (2083mm)
# Of mechanical locks	Rack & pinion at floor level
Lock release	Air cylinder lock release
Protection	Standard "kop coat" bituminous - optional hot dip galvanizing or fiber glass
Height adapters	Stacking rubber covered adapters - 1-1/2", 3" and 6" / 36mm, 76mm, 152mm
Installation depth	88-1/2" / 2248mm
In ground structural width	78" / 1981mm
Arm reach	28-3/4" to 41-1/2" / 730mm to 1054mm
Drive through distance	78-1/2" / 1994mm
Shipping weight	3,000 lb. / 1.4T
Country of manufacture	Canada
Operating Pressure	1,800 Psi / 124 bar

## FEATURES

- Long Cycle Life and low maintenance - traditional heavy frame sits on concrete footing. No plastic or fibre glass cassette required. Rack and pinion mounted at floor level.
- Compact design optimizes service bay productivity - overall width when installed is only 98" / 2489mm
- Environmentally safe design prevents soil contamination - high pressure cylinders are mounted inside heavy duty cylinders where any leaks are contained.
- Optional Extended Service Lift Options - optional hot dip galvanizing of the cylinder casings, locking mechanism and cover plates
- Reaches most approved lifting pickup points - telescoping swing arms with adjustable contact adapters adapt to small cars and light trucks
- Energy efficient 2HP / 1.5kw pump and motor - wall or pedestal mounted power unit with air lock release
- High lifting height of 82" / 2083mm with adapters - improves access and productivity for taller people.
- Heavy duty structure improves stability - stronger and more stable at all heights with very little flexing under heavy load.
- Built for safety and ease of use - mechanical locks engage automatically at all heights. Hydraulic cylinders are protected by built in velocity fuses to prevent a catastrophic pressure failure.

## EQUIPMENT FOOTPRINT



CONTACT US NOW

WWW.TLSLIFTS.COM OR CALL (877) 799-5438

