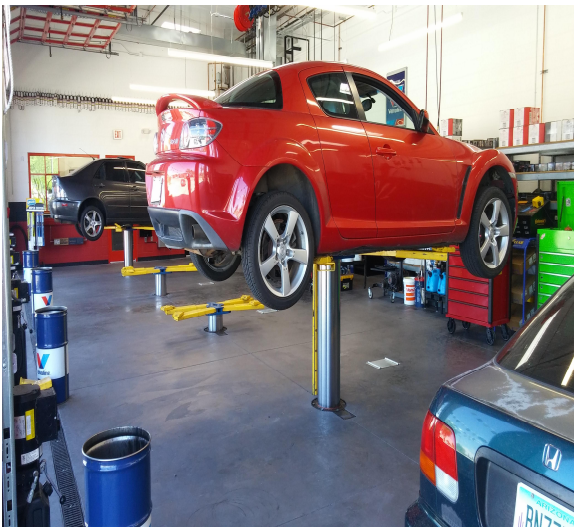




The Single post High pressure lift is a versatile , environmentally friendly solution to any shop looking to avoid clutter. With a very small footprint and no above ground posts to get in your way the shop looks clean and efficient to your customers.

This lift has approx. 2.5 Gallons of oil in the ground, contained in a steel casing to protect our environment.



- ◇ Available in 8,000 lb, and 10,000 lb configurations.
- ◇ Multiple superstructures available to suit your needs
- ◇ 230V power unit for hydro efficiency
- ◇ Optional multi lock safety leg available

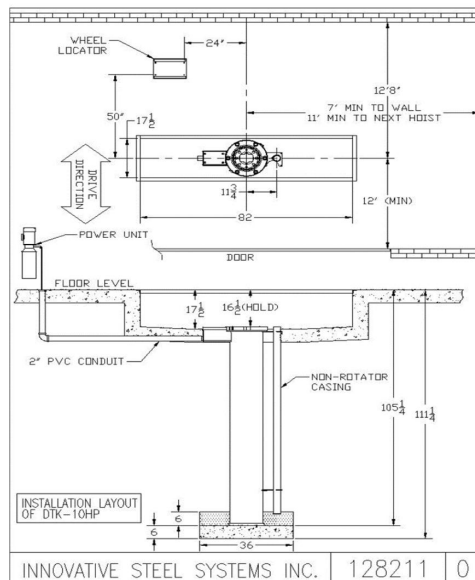




Description	Models	Image
Capacity: 8,000 lbs (2,000 lbs/arm) 10,000 lbs (2,500 lbs/arm)	HDK	
8,000 lbs (2,000 lbs/arm) 10,000 lbs (2,000 lbs/arm)	LPK	
Capacity: 8,000 lbs (2,000 lbs/arm) 10,000 lbs (2,500 lbs/arm)	DTK	
Capacity: 8,000 lbs. (2,000 lbs/arm) 10,000 lbs (2,000 lbs/arm)	JFHK	



Optional non rotator
multi lock leg



230v power unit



Standard non rotator safety leg