



FULL RISE DOUBLE 7,700 LB.  
CAPACITY SCISSOR LFT  
TLSS75LP1

**AUTOMOTIVE AND LIGHT TRUCK GENERAL SERVICE**

**COMMERCIAL GRADE AUTOMOTIVE SERVICE LIFTS**

# DUAL SCISSOR LOW PROFILE 7,700 LB. / 3.5T CAPACITY LIFT

COMPACT DESIGN WITH  
OVERALL WIDTH OF  
80" / 2030MM RAISED HEIGHT  
OF 73.2" / 1860MM



TLSS75SOR1

## QUALITY AND PERFORMANCE



VOLUMETRIC HYDRAULIC CONTROL SYSTEM

## PRODUCTIVITY ENHANCING



COMPACT SPACE SAVING DESIGN

## VERSATILITY



AUTO ENGAGING LOCKS - CHROME PLATED HINGE PINS & GEASE FITTINGS

**CONTACT US NOW**

**CALL: 866-799-5438**  
**WWW.TLSLIFTS.COM**

**TLS LIFTS**  
RETAIL LOCATIONS THROUGHOUT CANADA & USA  
HEADOFFICE & WAREHOUSE  
2300 SPEERS RD OAKVILLE ONTARIO





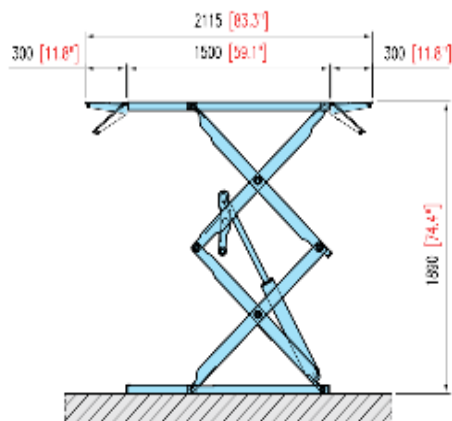
# DUAL SCISSOR 7,700 LB. / 4.5 CAPACITY

## TLSS75LP1

### SPECIFICATIONS

CAPACITY	7,700 LBS. / 3.5T
OVERALL LENGTH - SURFACE MOUNT	82.7" / 2100MM
OVERALL LENGTH - FLUSH MOUNT	83.3" / 2115MM
OVERALL WIDTH	80" / 2030MM
WIDTH BETWEEN RUNWAYS	31.6 / 800MM
DECK WIDTH	24.2" / 615MM
LOWERED HEIGHT	4.3" / 110MM
RAISED HEIGHT	73.2" / 1860MM
LIFTING TIME	43 SECONDS
POWER REQUIREMENTS	230 VOLTS - 60 HZ - 1 PH - 20AMP
SHIPPING WEIGHT	2,550 LBS. / 1.3T
DUAL SCISSOR	TLSS75LP1
ALI CERTIFIED - GOLD LABEL	YES

### EQUIPMENT FOOTPRINT



### FEATURES

**COMPACT DESIGN - RUGGED CONSTRUCTION**

SMALL FOOT PRINT TAKES UP LESS BAY SPACE WHILE STILL ALLOWING BEST IN CLASS WEIGHT CAPACITIES.

**VERSATILITY AND EASE OF USE**

IDEAL FOR SMALL COMPACT CARS UP TO LIGHT DUTY TRUCKS WITH PULL OUT EXTENSIONS ALLOWING EASE OF USE ON SHORT OR LONG WHEELBASE VEHICLES.

VOLUMERIC CONTROL STAYS LEVEL ALL THE TIME THANKS TO SINGLE CYLINDER WITH DUAL CHAMBER, UNIT STAYS LEVEL ALL THE TIME.

**LOWER MAINTINANCE - LESS DOWNTIME**  
NO ELECTRONIC SENSORS , NO EQUALIZATION VALVE, EXTRA-LARGE PINS WITH ACCESSIBLE GREASE FITTINGS MAKES THIS IDEAL EQUIPMENT FOR HIGH DUTY CYCLE SHOPS WHO REQUIRE LESS DOWNTIME.

**BUILT FOR SAFETY**

21 LOCKING POSITIONS ENSURE SIDE TO SIDE STABILITY AND ELIMINATES ACCIDENTAL LOWERING OF THE LIFT.

**UNOBSTRUCTED ACCESS**

OPEN FRONT AND REAR CONSTRUCTION WITH NO TIRE BARS OR TORSION RODS ALLOWS FOR UNOBSTRUCTED ACCESS TO THE UNDERSIDE OF MOST VEHICLES WITH 31.6" / 800MM OF WORKING AREA BETWEEN THE SUPERSTRUCTURES.

**EASY VEHICLE SPOTTING**

THE FLAT DECK PLATFORM AND "SPOTTING BLOCKS" ALLOWS QUICK SET-UP BY THE OPERATOR INCREASING BAY PRODUCTIVITY.

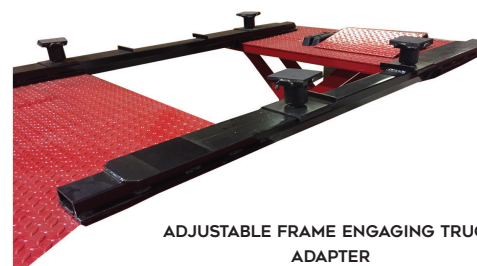
**LOW PROFILE APPROACH RAMP OR FLUSH MOUNT OPTIONS**

THE LOW PROFILE RAMP EXTENSIONS ALLOW FOR ACCESSIBILITY OF SMALLER COMPACT CARS WHILE STILL ALLOWING FOR HEAVIER LOADS. THE LIFT CAN ALSO BE FLUSH MOUNTED FOR THE ULTIMATE IN PRODUCTIVITY AND SPACE SAVING BAY

### RECOMMENDED OPTIONS & ACCESSORIES



HOT DIPPED GALVANIZED FOR CORROSIVE WORK  
4TS7SSOR1



ADJUSTABLE FRAME ENGAGING TRUCK ADAPTER

**Disclaimer:** TLS Inc. is constantly updating their products to maintain the highest possible standards of performance and safety. The specifications included in this brochure are only accurate at the time of printing and are subject to change without notice.

**CONTACT US NOW**

**CALL: 866-799-5438  
WWW.TLSLIFTS.COM**

**TLS LIFTS**  
RETAIL LOCATIONS THROUGHOUT CANADA & USA  
HEADOFFICE & WAREHOUSE  
2300 SPEERS RD OAKVILLE ONTARIO

