

TCO
TOTAL
COST OF
OWNERSHIP



CALL: 877-799-LIFT

MID RISE PORTABLE MULTI PURPOSE SCISSOR LIFT

PORTABLE MID-RISE SCISSOR LIFT 6,000 LB. / 2.7T CAPACITY

IDEAL FOR TIRES, BRAKES & DETAILING

LIFTS 60" (1524MM)

WITH ADAPTERS - LONG REACH SWING
ARMS PROVIDE MAXIMUM ACCESS TO
LIFT POINTS



TWIN HYDRAULIC CYLINDERS WITH AUTO ENGAGING
7 POSITION MECHANICAL LOCKS

FEATURES



PREMIUM USA-MADE BUCHER PUMP & MOTOR
110V / 1HP / .75KW CSA/UL APPROVED



BICYCLE STYLE MECHANICAL LOCKS
RELEASE



COMPACT SCISSOR ONLY 40" X 102" / 1116 X
2590 MM DESIGN

CONTACT US NOW

CALL: 866-799-5438
WWW.TLSLIFTS.COM



TOTAL AUTOMOTIVE LIFTING SOLUTIONS
RETAIL LOCATIONS THROUGHOUT CANADA
2300 SPEERS RD OAKVILLE ONTARIO



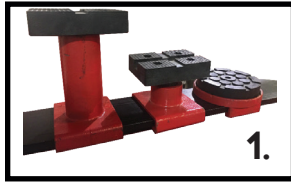
TLS DISTRIBUTORS LOCATED: ALABAMA, ARIZONA, CALI-FORNIA, FLORIDA, TEXAS, INDIANA, NEW ENGLAND, NEW HAMPSHIRE, WISCONSIN, MISSOURI, & VIRGINIA



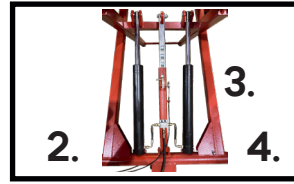
MID-RISE 6,000 LB. / 2.7T CAPACITY

MID-RISE TLSM6R

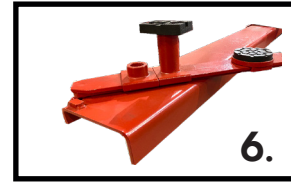
OUR GOAL IS TO BUILD LIFTS THAT LAST LONGER, PERFORM BETTER AND COST LESS TO OPERATE



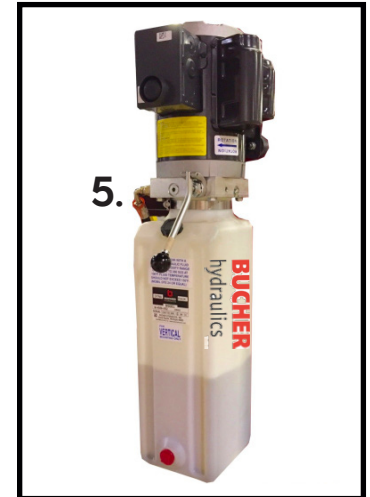
1. HEIGHT ADAPTERS 1 1/2", 2 1/4" & 5 3/4" / 38, 57, 146 MM & RUBBER CONTACT PADS



2. TWIN LIFTING CYLINDERS WITH 7 POSITION LOCKING SYSTEM



3. EXTRA LONG 27" / 685MM SWING ARMS MADE WITH QT100 STEEL

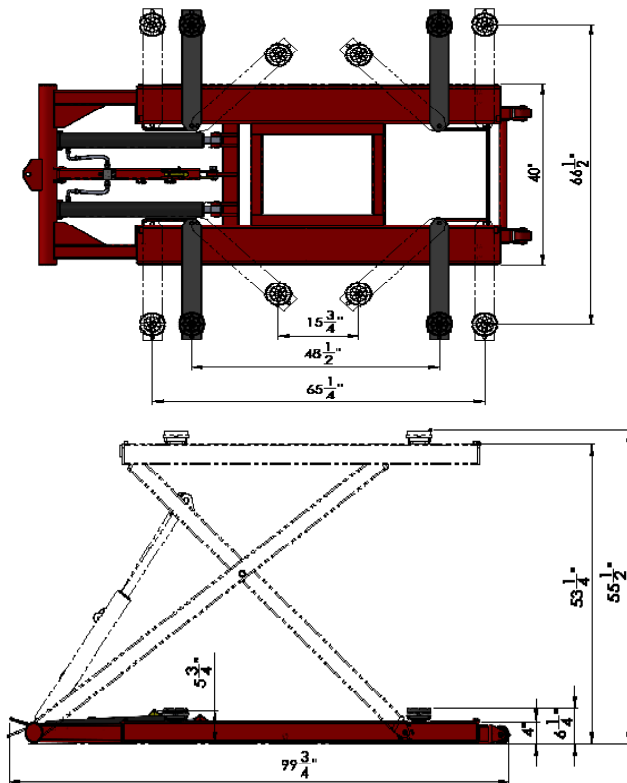


4. ENERGY EFFICIENT PREMIUM US MADE BUCHER 110V 1HP / 8 KW 15 AMP OR 220V 2HP / 1.5KW 10 AMP POWER UNIT TYPICALLY LASTS THE LIFE OF THE LIFT

FEATURES
PREMIUM DOUBLE BAKE POWDER COAT FINISH
HEIGHT ADAPTERS 1 1/2", 2 1/4" & 5 3/4" / 38, 57, 146 MM
TWIN 3" / 76MM X 28" / 711 MM HYDRAULIC LIFTING CYLINDERS
HYDRAULIC "VELOCITY" VALVE SAFETIES IN EACH CYLINDERS
SEVEN (7) AUTO ENGAGING MECHANICAL LOCKS
PREMIUM US MADE BUCHER POWER UNIT
LONG QT-100 STEEL 27" / 685MM SWING ARMS
ROLL AROUND CADDY WITH FRONT HOOK TO MOVE LIFT
SINGLE POINT BICYCLE STYLE HAND GRIP LOCK RELEASE
LIFTS 60" / 1524MM WITH TALL ADAPTERS
LARGE BARREL SHAPED FRONT ROLLER WHEELS
3 PIECE RETRACTABLE ARMS FRONT & REAR

BENEFITS
PROTECTS AGAINST STRUCTURAL CORROSION
1. CAN LIFT MOST CARS AND LIGHT TRUCKS
2. SMOOTH LIFTING & LOWERING WITH NO JERKING
3. PROTECTS AGAINST HYDRAULIC BURST WHEN LOWERING
4. PROVIDES FAIL SAFE LOCKING AND WORK POSITIONS
5. LASTS LONGER WITH LESS MAINTENANCE
6. SAFELY REACH MORE CAR & TRUCK LIFTING POINTS
ALLOWS THE LIFT TO BE MOVED AROUND WHERE NEEDED
LOCK RELEASE LOCATED AWAY FROM THE LIFT FOR SAFETY
WORKING WHILE STANDING UP REDUCES FATIGUE
EASIER TO ROLL ACROSS CONCRETE FLOORS
PROVIDES GREATER ACCESS TO APPROVED LIFT POINTS

EQUIPMENT FOOTPRINT



SPECIFICATIONS

SPECIFICATIONS	MID RISE
CAPACITY	6,000 LBS. / 2.7T
POWER SUPPLY	R4 MODELS - 110V 15 AMP 1PH
POWER SUPPLY	110V 15 AMP 1 PH 1HP / .8KW
HYDRAULIC CYLINDERS	2 @ 3" OD X 28" LONG / 76MM OD X 711MM LONG
LIFTING TIME	30 SECONDS (220V)
OVERALL WIDTH	40" / 1016MM
OVERALL LENGTH	102" / 2590MM
DRIVE OVER HEIGHT	5-3/4" / 140MM
OVERALL LIFTING HEIGHT	54" / 1371MM (60" / 1524MM WITH ADAPTERS)
# OF MECHANICAL LOCKS	7
LOCK RELEASE	MOTORCYCLE HAND GRIP
FINISH	DOUBLE BAKE POWDER COAT
* HEIGHT ADAPTERS	1-1/2", 2-1/4" & 5-3/4" / 38, 57 & 146MM DROP IN STACKING ADAPTERS
SWING ARMS	4 - 27" / 685MM LONG
FRAME DIMENSIONS	40" X 71-1/2" / 1016MM X 1816MM
ARM REACH FRONT TO BACK	15 3/4" TO 65" / 400MM TO 1657MM
ARM REACH SIDE TO SIDE	42 TO 66-1/2" / 1067MM TO 1689MM
SHIPPING WEIGHT	800 LB. / 362KG
MID RISE	TLSM6R4 (110V)

Disclaimer: TLS Inc. is constantly updating their products to maintain the highest possible standards of performance and safety. The specifications included in this brochure are only accurate at the time of printing and are subject to change without notice.

CONTACT US NOW

CALL: 866-799-5438
WWW.TLSLIFTS.COM



TOTAL AUTOMOTIVE LIFTING SOLUTIONS
RETAIL LOCATIONS THROUGHOUT CANADA
2300 SPEERS RD OAKVILLE ONTARIO



TLS DISTRIBUTORS LOCATED: ALABAMA, ARIZONA, CALIFORNIA, FLORIDA, TEXAS, INDIANA, NEW ENGLAND, NEW HAMPSHIRE, WISCONSIN, MISSOURI, & VIRGINIA