

TCO
TOTAL
COST OF
OWNERSHIP



CALL: 866-799-LIFT

COMMERCIAL OR RESIDENTIAL PARKING STORAGE

CE TRIPARK 2 POST 3 CAR STACKER

DEPENDENT CAR STACKER

2 POST PARKING LIFTS THAT CAN
BE USED FOR PARKING OR CAR
STORAGE INDOOR OR OUTDOOR

6,600 LB./3.0T CAPACITY PER PLATFORM

RUGGED, COMPACT & DESIGNED FOR
REPEATABILITY



**NEW
UPDATE!**



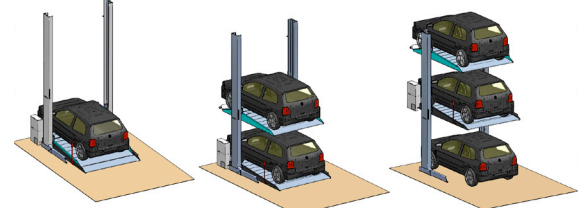
EV COMPATIBLE



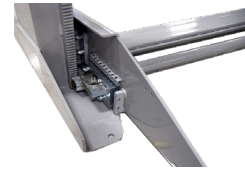
TRI-PARK STACKER

THE OVERALL COMPACTNESS OF THE PRODUCT REDUCES THE SPACE REQUIREMENTS TO THE BAREST MINIMUM ALLOWING SEVERAL VEHICLES TO BE PARKED IN A RELATIVELY SMALL SPACE. THE PUSHBUTTON PENDANT CONTROL CAN BE INSTALLED IN THE MOST CONVENIENT POSITION FOR CONTROLLING THE LIFT DEPENDING ON THE CUSTOMER'S REQUIREMENTS. THE PLATFORM HAS A FRONT WHEEL STOP BAR SET AT THE FRONT EDGE OF THE PLATFORM.

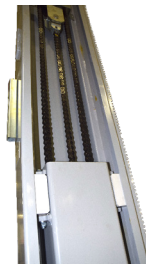
UPPER & MIDDLE LIFTING PLATFORMS
OPERATED SEPERATELY



FEATURES



RACK AND PINION STYLE SYNCHRONIZATION
WITH CROSS MOUNTED TORSION BAR.



TWIN LIFTING CYLINDERS WITH CHAIN DRIVE -
UHMW CARRIAGE GLUIDE BEARINGS



GALVANIZED DECK PROTECTS LOWER VEHICLE &
PROVIDES THE ULTIMATE CORROSION PROTECTION

CONTACT US NOW

CALL: 866-799-5438
WWW.TLSLIFTS.COM



TOTAL AUTOMOTIVE LIFTING SOLUTIONS
RETAIL LOCATIONS THROUGHOUT CANADA
2300 SPEERS RD OAKVILLE ONTARIO



AUTHORIZED TLS DISTRIBUTORS LOCATED: AL-
ABAMA, ARIZONA, CALIFORNIA, FLORIDA, TEXAS,
INDIANA, NEW ENGLAND, NEW HAMPSHIRE, WIS-
CONSIN, MISSOURI, & VIRGINIA



COMMERICAL 2 POST TRIPLE LEVEL STORAGE LIFT

TRI PARK TLSP2P0503B1

SPECIFICATIONS	TRIPARK 25
CAPACITY / PLATFORM	6,600 LB. (3T) PER PLATFORM
STANDARD LIFTING HEIGHTS *	BOTTOM 80.8" - MIDDLE 70.9" - TOP UNLIMITED (2050MM -1800MM)
STANDARD PLATFORM *	MIDDLE 74.6" X 138.2" & UPPER 74.6" X 122.8" (2200 X 3510 & 2200 X 3120MM)
DISTANCE BETWEEN COLUMNS	89.8" (2280MM)
LENGTH OF FLOOR OUTRIGGER SUPPORTS	70.7" (1795MM)
OVERALL WIDTH	99.2" (2520MM)
NET HEIGHT *	196.5" (4990MM)
POWER	3 HP (2.2 KW)
UP/DOWN TRAVEL TIME	.16 FEET/SECOND
POWER SUPPLY	220 VOLT 1PH/60HZ 23 AMP OR 208V 3 PH 60HZ 13.5 AMP

Disclaimer: TLS Inc. is constantly updating their products to maintain the highest possible standards of performance and safety. The specifications included in this brochure are only accurate at the time of printing and are subject to change without notice.

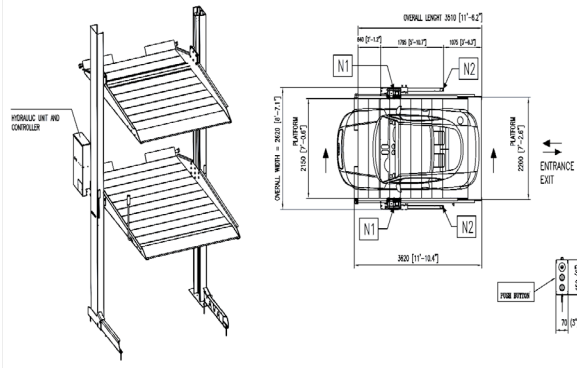
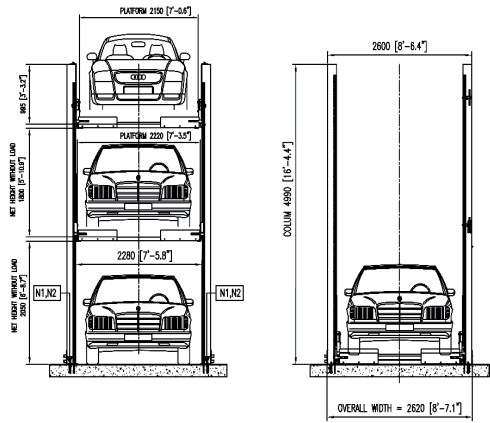
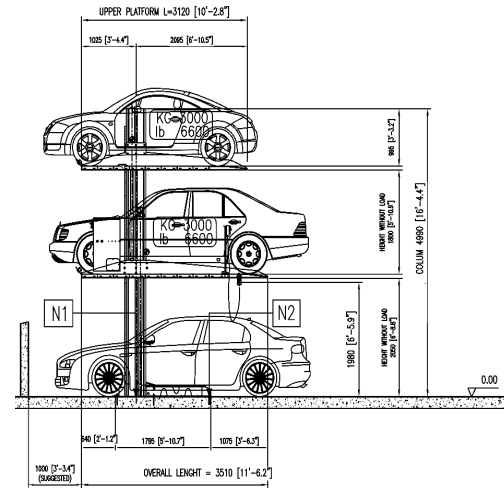
FEATURES

- * BUILT TO A HIGHER STANDARD OF QUALITY; MADE IN EUROPE FOR MASS PARK BY A WORLD LEADER IN VEHICLE PARKING LIFT MANUFACTURING WITH OVER 40 YEARS' EXPERIENCE.
- * COMPACT DESIGN-UTILIZING A MINIMAL FOOTPRINT, OPTIMIZING EFFICIENCY AND ALLOWING FOR THE MAXIMUM NUMBER OF VEHICLES IN A GIVEN SPACE.
- * SAFETY AND CONVENIENCE -THE ELECTRICALLY-ACTUATED MECHANICAL-LOCKING DEVICE GUARANTEES A SAFE LOCKING POSITION AT 1" INTERVALS, WHILE THE UNIQUE TORSION BAR ENSURES THAT THE PLATFORM REMAINS CONSTANTLY PARALLEL AND CAN BE SAFELY STOPPED AT ANY HEIGHT.
- * EFFICIENCY & LONGER LIFE TIME - THE PLATFORM CARRIAGE IS GUIDED BY WHEELS AND REINFORCED NYLON GUIDES, REDUCING THE FRICTION BETWEEN THE COLUMN AND CARRIAGE AND LOWERING THE POWER NEEDED FOR OPERATION. CHANNLED GALVANIZED PLATFORMS REDUCE RUST & DRAIN WATER AWAY FROM THE VEHICLE BELOW.
- * FLEXIBILITY - UNIQUELY BALANCED AND REINFORCED TO ALLOW VEHICLES TO BE PARKED FACING EITHER FORWARD OR BACKWARD, WITH NO NEED FOR WEIGHT TO BE EVENLY DISTRIBUTED.

DESIGN OPTIONS

- * HOT-DIPPED GALVANIZATION FOR OUTDOOR USE
- * OPTIONAL 3 PHASE POWER SUPPLY 230V-460V / 50-60HZ
- * WATERPROOF GALVANIZED COVER FOR CONTROL UNIT
- * FOR OUTDOOR INSTALLATION
- * WATERPROOF PUSH BUTTON BOARD IP 54
- * LIMIT SWITCHES/VEHICLE DETECTING PHOTOCCELL FOR ELECTRONIC COLLISION PREVENTION

TRI PARK ENGINEERING DRAWINGS



CONTACT US NOW
CALL: 866-799-5438
WWW.TLSLIFTS.COM



TOTAL AUTOMOTIVE LIFTING SOLUTIONS
 RETAIL LOCATIONS THROUGHOUT CANADA
 2300 SPEERS RD OAKVILLE ONTARIO



AUTHORIZED TLS DISTRIBUTORS LOCATED: ALABAMA, ARIZONA, CALIFORNIA, FLORIDA, TEXAS, INDIANA, NEW ENGLAND, NEW HAMPSHIRE, WISCONSIN, MISSOURI, & VIRGINIA